

SOLAR COMBINER BOX



SOLAR
DISTRIBUTION SOLUTIONS
INNOVATION & TECHNOLOGY

2022

Qualification certificate



ABOUT US

ZHEJIANG YATAI INTELLIGENT ELECTRIC CO.,LTD is a professional solar PV electric components manufacturer located in Yueqing City, China.

We're specialized in DC circuit breakers, Surge Protective Devices, PV fuses, isolator switches, MC4 connectors etc.

Our experience of working in the electrical industry for more than 10 years allows us to create solar DC components that comply with the latest DC standards. We can assure you perfect quality and excellent service. We're looking forward to having a good-long term cooperaton with you and your company.



SOLAR COMBINER BOX

01-03

1 IN 1 OUT DC
600V/1000V

04-06

2 IN 1 OUT DC
600V/1000V

07-09

2 IN 2 OUT DC
600V/1000V

10-12

3 IN 1 OUT DC
1000V

13-15

3 IN 3 OUT DC
600V

16-18

4 IN 1 OUT DC
600V/1000V

19-21

4 IN 2 OUT DC
600V/1000V

22-24

4 IN 4 OUT DC
600V

25-27

5 IN 1 OUT DC
600V

28-30

6 IN 1 OUT DC
600V

31-33

6 IN 2 OUT DC
1000V

34

Accessory

GOMTENTS



SOLAR COMBINER BOX

1 IN 1 OUT DC 600V/1000V

Application ■

PV String DC Combiner Boxes are key components in the solar power systems, which are placed between solar modules and the inverters.

Specifications ■

Solar PV DC 1 in 1 out Combiner Box

Rated voltage of photovoltaic system	DC 600V&1000V	Max input amp for each string	15A
Input strings	1	Number of output strings	1

Waterproof grade ip65/ Lighting protection

Category of test	II grade protection	Nominal discharge amp	20KA
Max discharge amp	40KA	Volt protection level	3.2KV
SPD Max operation voltage	DC 600V&1000V	Poles	2P
Structure characteristic	Plug push module		

System

Protection grade	Ip65	Output switch	DC circuit breaker & DC isolation switch
Solar connector	Standard	Box material	PVC
Installation method	Wall mounting type	Operating temperature	-25°C-+60°C
Installation: indoors/outdoors	Yes		

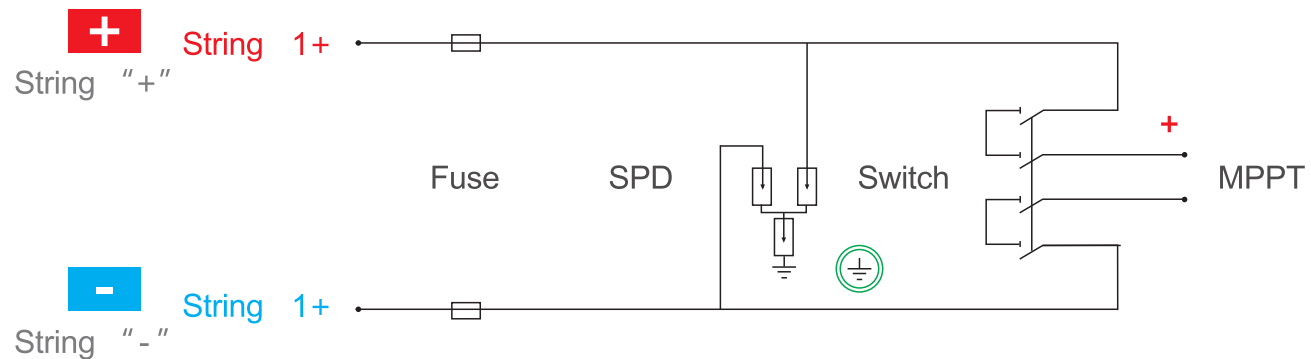
Mechanical parameter

Width*high*Depth(mm)	200*155*95 ■ 215*210*100 ■ 212*207*118
-----------------------------	--

Features ■

- Very high impact resistance
- Easy machining with normal tools
- IP65
- Wide operation temperature range
- Fire Resistance
- Non-conductive
- Good resistance to chemical corrosion
- Light weight
- Excellent insulating properties
- Cost-effective material for harsh environments

Wiring Diagram ■



**Field of
application**



SOLAR COMBINER BOX

2 IN 1 OUT DC 600V/1000V

Application ■

PV String DC Combiner Boxes are key components in the solar power systems, which are placed between solar modules and the inverters.

Specifications ■

Solar PV DC 2 in 1 out Combiner Box

Rated voltage of photovoltaic system	DC 600V&1000V	Max input amp for each string	15A
Input strings	2	Number of output strings	1

Waterproof grade ip65/ Lighting protection

Category of test	II grade protection	Nominal discharge amp	20KA
Max discharge amp	40KA	Volt protection level	3.5KV
SPD Max operation voltage	DC 600V&1000V	Poles	2P/3P
Structure characteristic	Plug push module		

System

Protection grade	Ip65	Output switch	DC circuit breaker & DC isolation switch
Solar connector	Standard	Box material	PVC
Installation method	Wall mounting type	Operating temperature	-25°C-+60°C
Installation: indoors/outdoors	Yes		

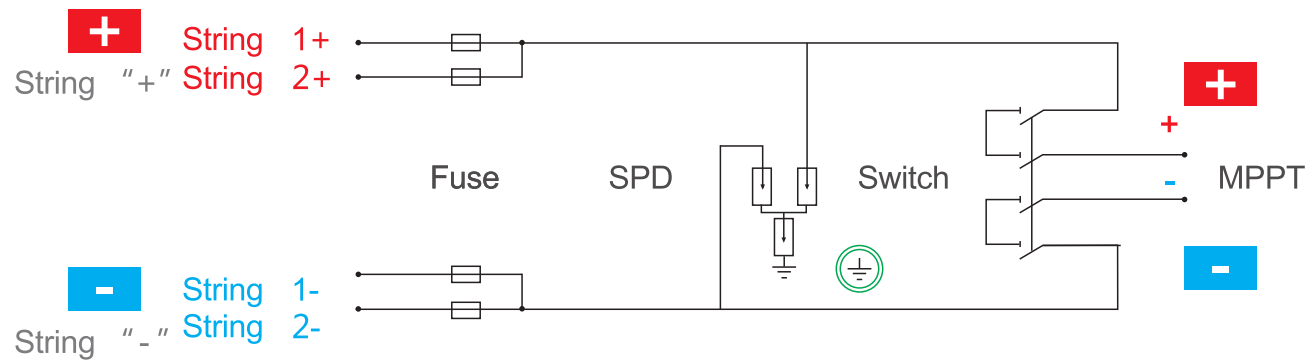
Mechanical parameter

Width*high*Depth(mm)	200*155*95 ■ 255*200*115
-----------------------------	--------------------------

Features ■

- Very high impact resistance
- Easy machining with normal tools
- IP65
- Wide operation temperature range
- Fire Resistance
- Non-conductive
- Good resistance to chemical corrosion
- Light weight
- Excellent insulating properties
- Cost-effective material for harsh environments

Wiring Diagram ■



**Field of
application**



SOLAR COMBINER BOX

2 IN 2 OUT DC 600V/1000V

Application ■

PV String DC Combiner Boxes are key components in the solar power systems, which are placed between solar modules and the inverters.

Specifications ■

Solar PV DC 2 in 2 out Combiner Box

Rated voltage of photovoltaic system	DC 600V&1000V	Max input amp for each string	15A
Input strings	2	Number of output strings	2

Waterproof grade ip65/ Lighting protection

Category of test	II grade protection	Nominal discharge amp	20KA
Max discharge amp	40KA	Volt protection level	3.5KV
SPD Max operation voltage	DC 600V&1000V	Poles	2P/3P
Structure characteristic	Plug push module		

System

Protection grade	IP65	Output switch	DC circuit breaker & DC isolation switch
Solar connector	Standard	Box material	PVC
Installation method	Wall mounting type	Operating temperature	-25°C-+60°C
Installation: indoors/outdoors	Yes		

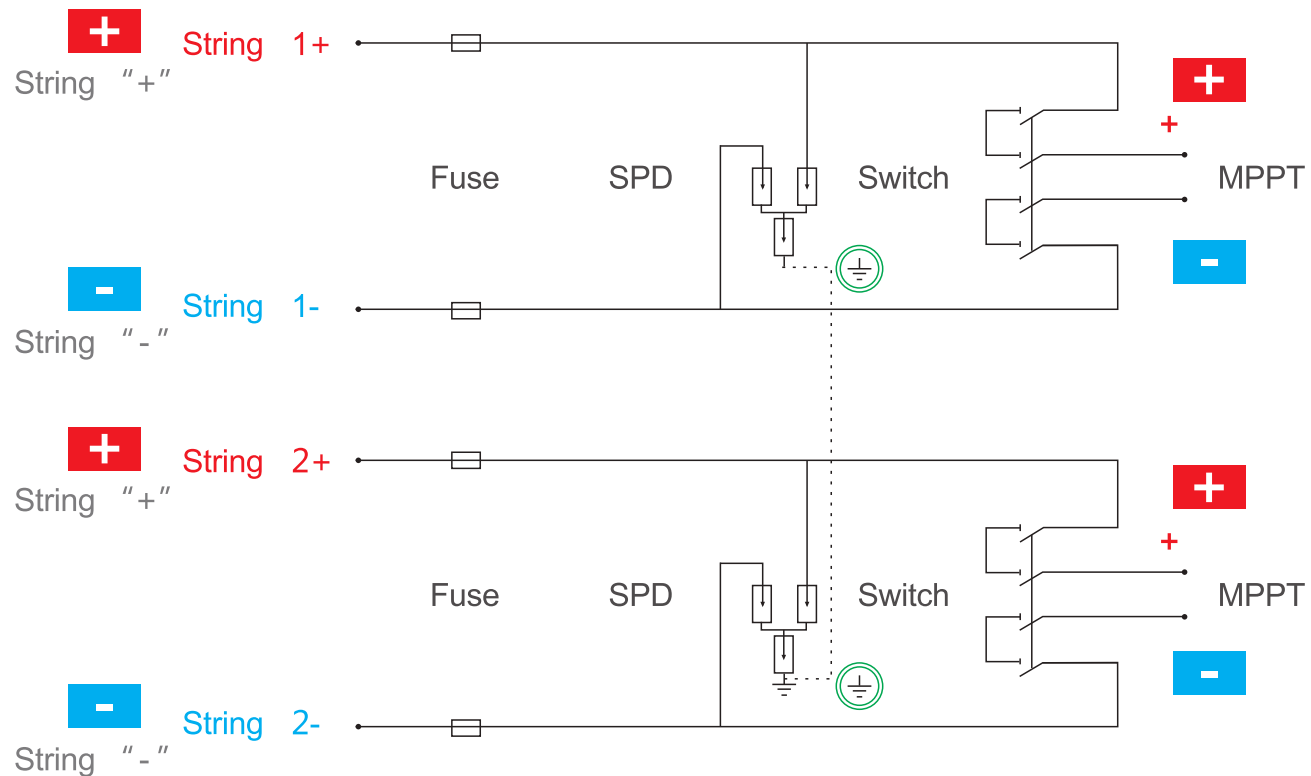
Mechanical parameter

Width*high*Depth(mm)	295*260*140 ■ 310*200*110 ■ 360*200*110 ■ 415*283*135
-----------------------------	---

Features ■

- Very high impact resistance
- Easy machining with normal tools
- IP65
- Wide operation temperature range
- Fire Resistance
- Non-conductive
- Good resistance to chemical corrosion
- Light weight
- Excellent insulating properties
- Cost-effective material for harsh environments

Wiring Diagram ■





SOLAR COMBINER BOX

3 IN 1 OUT DC 1000V

Application ■

PV String DC Combiner Boxes are key components in the solar power systems, which are placed between solar modules and the inverters.

Specifications ■

Solar PV DC 3 in 1 out Combiner Box

Rated voltage of photovoltaic system	DC 1000V	Max input amp for each string	15A
Input strings	3	Number of output strings	1

Waterproof grade ip65/ Lighting protection

Category of test	II grade protection	Nominal discharge amp	20KA
Max discharge amp	40KA	Volt protection level	3.5KV
SPD Max operation voltage	DC1000V	Poles	2P
Structure characteristic	Plug push module		

System

Protection grade	IP65	Output switch	DC isolation switch
Solar connector	Standard	Box material	PVC
Installation method	Wall mounting type	Operating temperature	-25°C-+60°C
Installation: indoors/outdoors	Yes		

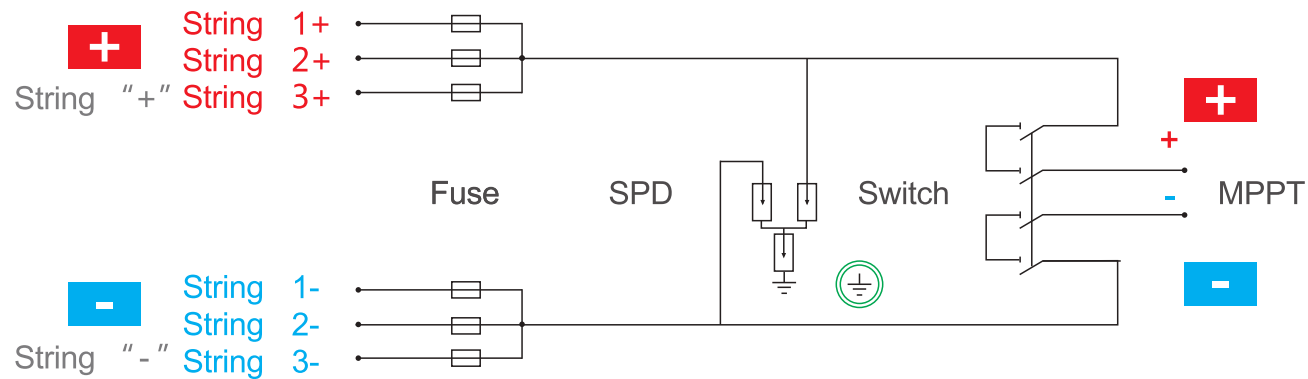
Mechanical parameter

Width*high*Depth(mm)	295*255*135		
-----------------------------	-------------	--	--

Features ■

- Very high impact resistance
- Easy machining with normal tools
- IP65
- Wide operation temperature range
- Fire Resistance
- Non-conductive
- Good resistance to chemical corrosion
- Light weight
- Excellent insulating properties
- Cost-effective material for harsh environments

Wiring Diagram ■



**Field of
application**



SOLAR COMBINER BOX

3 IN 3 OUT DC 600V

Application ■

PV String DC Combiner Boxes are key components in the solar power systems, which are placed between solar modules and the inverters.

Specifications ■

Solar PV DC 3 in 3 out Combiner Box

Rated voltage of photovoltaic system	DC 600V	Max input amp for each string	15A
Input strings	3	Number of output strings	3

Waterproof grade ip65/ Lighting protection

Category of test	II grade protection	Nominal discharge amp	20KA
Max discharge amp	40KA	Volt protection level	2.8KV
SPD Max operation voltage	DC 600V	Poles	2P
Structure characteristic	Plug push module		

System

Protection grade	IP65	Output switch	2P DC circuit breaker
Solar connector	Standard	Box material	PVC
Installation method	Wall mounting type	Operating temperature	-25°C-+60°C
Installation: indoors/outdoors	Yes		

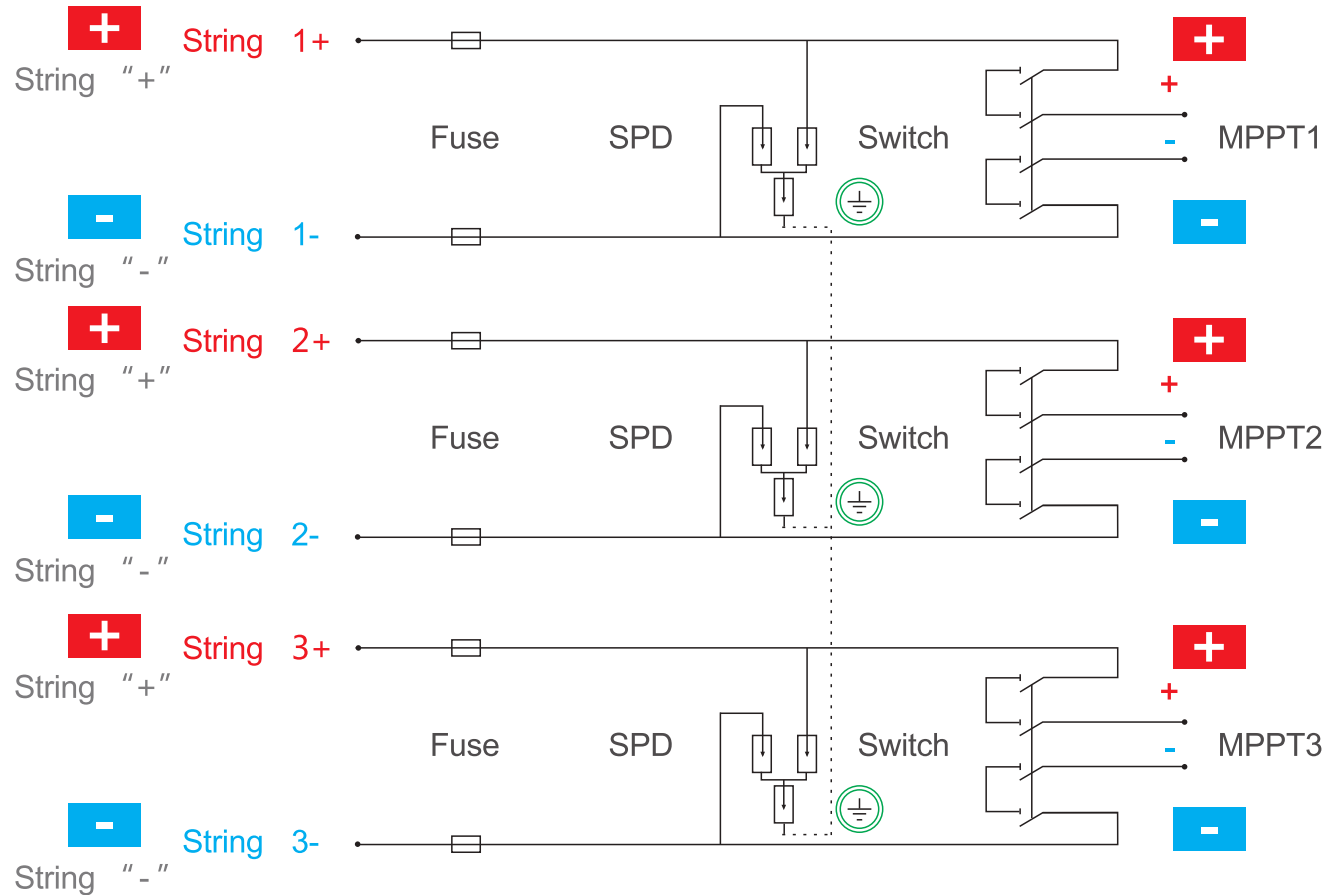
Mechanical parameter

Width*high*Depth(mm)	410*280*130
-----------------------------	-------------

Features ■

- Very high impact resistance
- Easy machining with normal tools
- IP65
- Wide operation temperature range
- Fire Resistance
- Non-conductive
- Good resistance to chemical corrosion
- Light weight
- Excellent insulating properties
- Cost-effective material for harsh environments

Wiring Diagram ■





SOLAR COMBINER BOX

4 IN 1 OUT DC 600V/1000V

Application ■

PV String DC Combiner Boxes are key components in the solar power systems, which are placed between solar modules and the inverters.

Specifications ■

Solar PV DC 4 in 1 out Combiner Box

Rated voltage of photovoltaic system	DC 600V&1000V	Max input amp for each string	15A
Input strings	4	Number of output strings	1

Waterproof grade ip65/ Lighting protection

Category of test	II grade protection	Nominal discharge amp	20KA
Max discharge amp	40KA	Volt protection level	3.5KV
SPD Max operation voltage	DC 600V&1000V	Poles	2P/3P
Structure characteristic	Plug push module		

System

Protection grade	Ip65	Output switch	DC circuit breaker
Solar connector	Standard	Box material	PVC/ABS
Installation method	Wall mounting type	Operating temperature	-25°C-+60°C
Installation: indoors/outdoors	Yes		

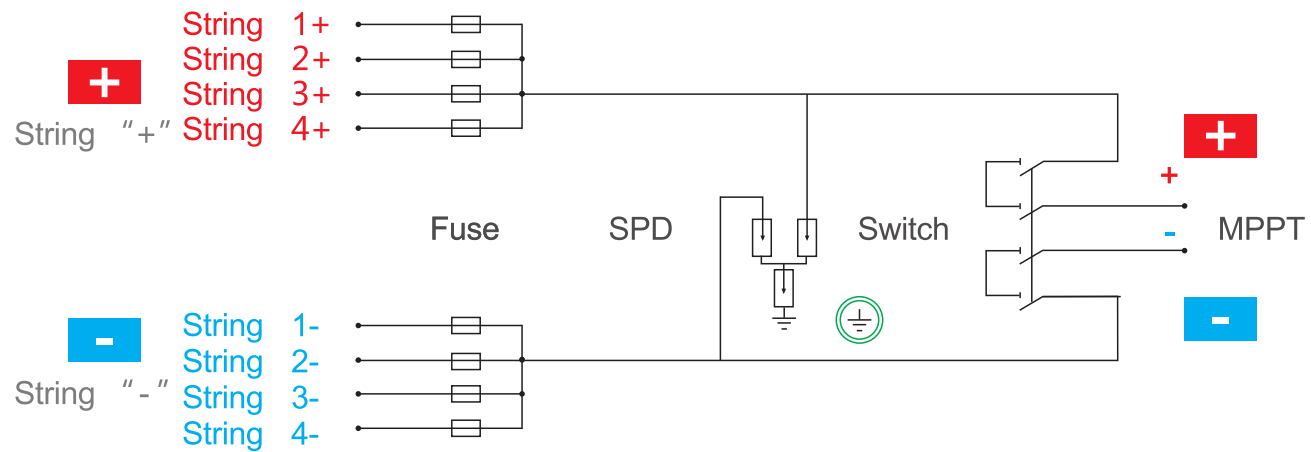
Mechanical parameter

Width*high*Depth(mm)	170*220*110 ■ 270*360*155 ■ 310*200*110 ■ 415*283*135
-----------------------------	---

Features ■

- Very high impact resistance
- Easy machining with normal tools
- IP65
- Wide operation temperature range
- Fire Resistance
- Non-conductive
- Good resistance to chemical corrosion
- Light weight
- Excellent insulating properties
- Cost-effective material for harsh environments

Wiring Diagram ■





SOLAR COMBINER BOX

4 IN 2 OUT DC 600V/1000V

Application ■

PV String DC Combiner Boxes are key components in the solar power systems, which are placed between solar modules and the inverters.

Specifications ■

Solar PV DC 4 in 2 out Combiner Box

Rated voltage of photovoltaic system	DC 600V&1000V	Max input amp for each string	15A
Input strings	4	Number of output strings	2

Waterproof grade ip65/ Lighting protection

Category of test	II grade protection	Nominal discharge amp	20KA
Max discharge amp	40KA	Volt protection level	3.5KV
SPD Max operation voltage	DC 600V&1000V	Poles	2P/3P
Structure characteristic	Plug push module		

System

Protection grade	IP65	Output switch	DC circuit breaker & DC isolation switch
Solar connector	Standard	Box material	PVC
Installation method	Wall mounting type	Operating temperature	-25°C-+60°C
Installation: indoors/outdoors	Yes		

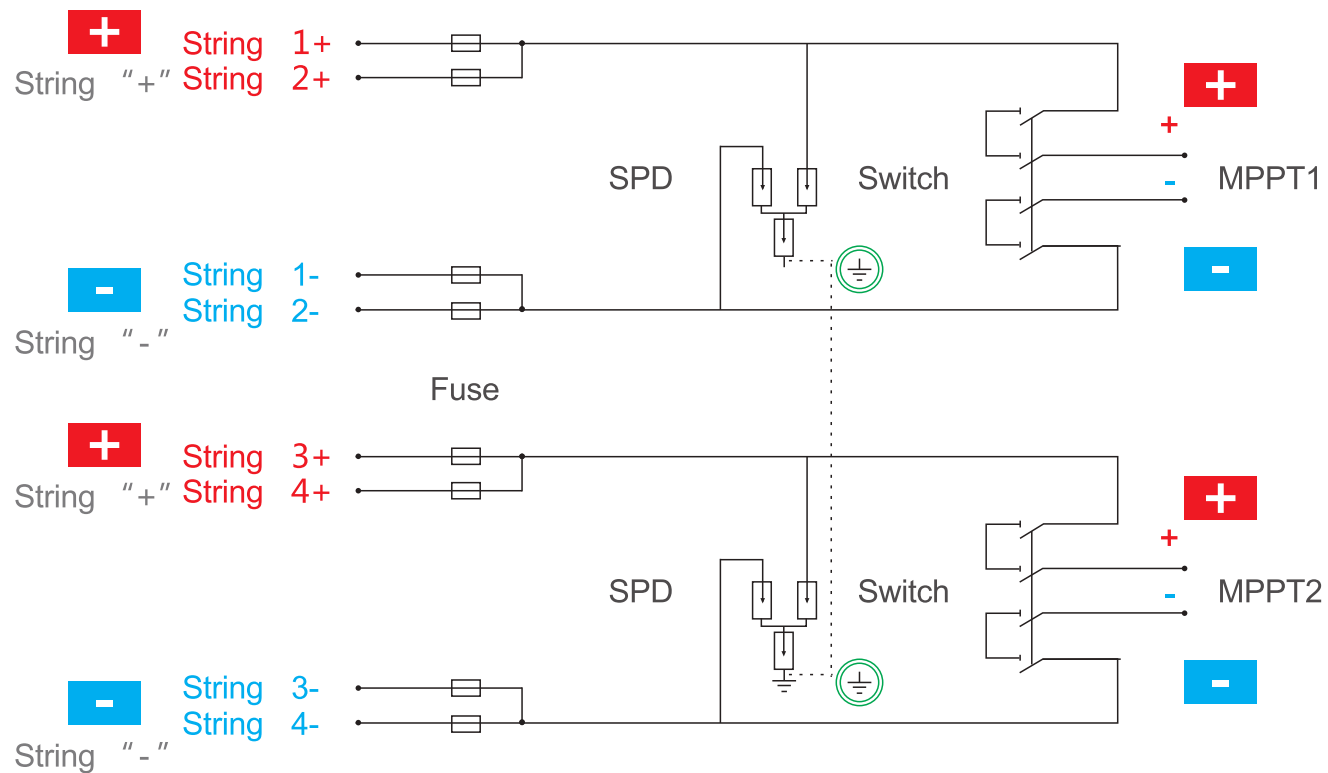
Mechanical parameter

Width*high*Depth(mm)	280*350*110 ■ 365*200*110 ■ 415*283*135
-----------------------------	---

Features ■

- Very high impact resistance
- Easy machining with normal tools
- IP65
- Wide operation temperature range
- Fire Resistance
- Non-conductive
- Good resistance to chemical corrosion
- Light weight
- Excellent insulating properties
- Cost-effective material for harsh environments

Wiring Diagram ■





SOLAR COMBINER BOX

4 IN 4 OUT DC 600V

Application ■

PV String DC Combiner Boxes are key components in the solar power systems, which are placed between solar modules and the inverters.

Specifications ■

Solar PV DC 4 in 4 out Combiner Box

Rated voltage of photovoltaic system	DC 600V	Max input amp for each string	15A
Input strings	4	Number of output strings	4

Waterproof grade ip65/ Lighting protection

Category of test	II grade protection	Nominal discharge amp	20KA
Max discharge amp	40KA	Volt protection level	2.8KV
SPD Max operation voltage	DC 600V	Poles	2P
Structure characteristic	Plug push module		

System

Protection grade	IP65	Output switch	2P DC circuit breaker
Solar connector	Standard	Box material	PVC
Installation method	Wall mounting type	Operating temperature	-25°C-+60°C
Installation: indoors/outdoors	Yes		

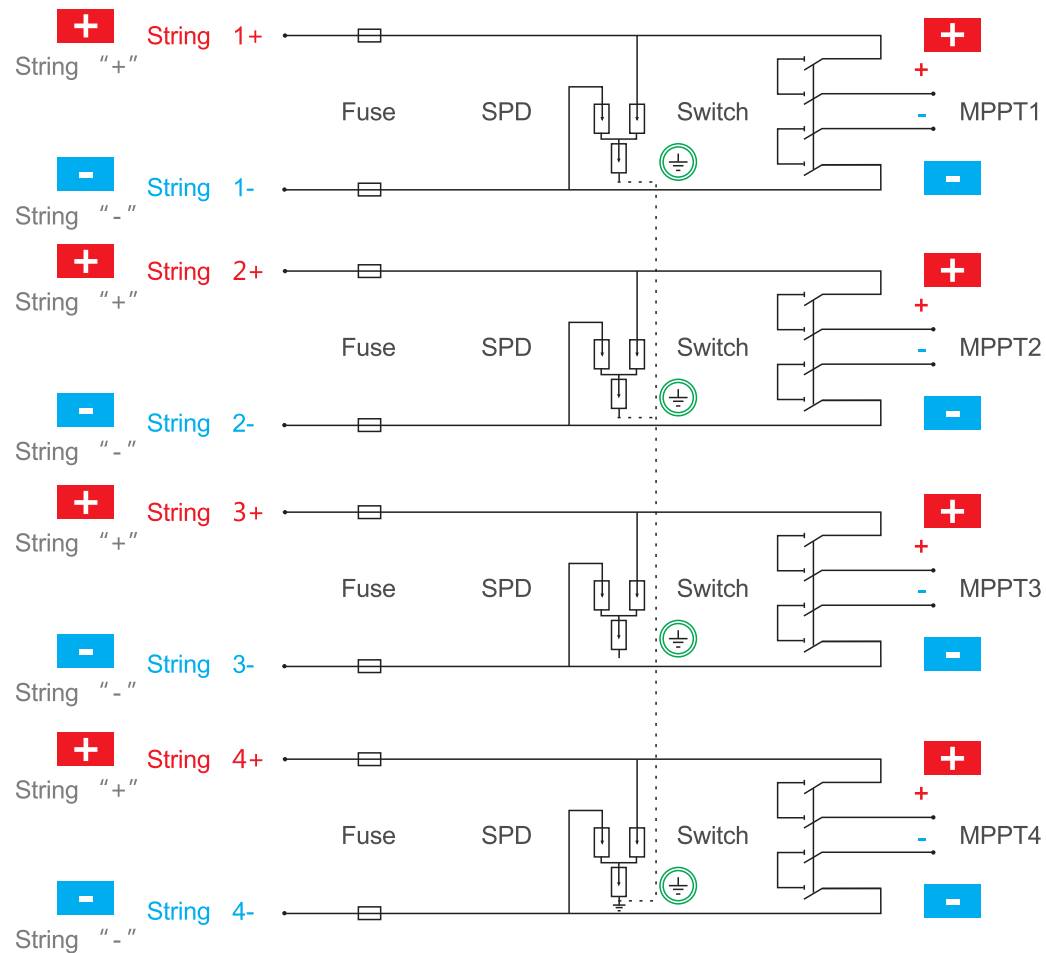
Mechanical parameter

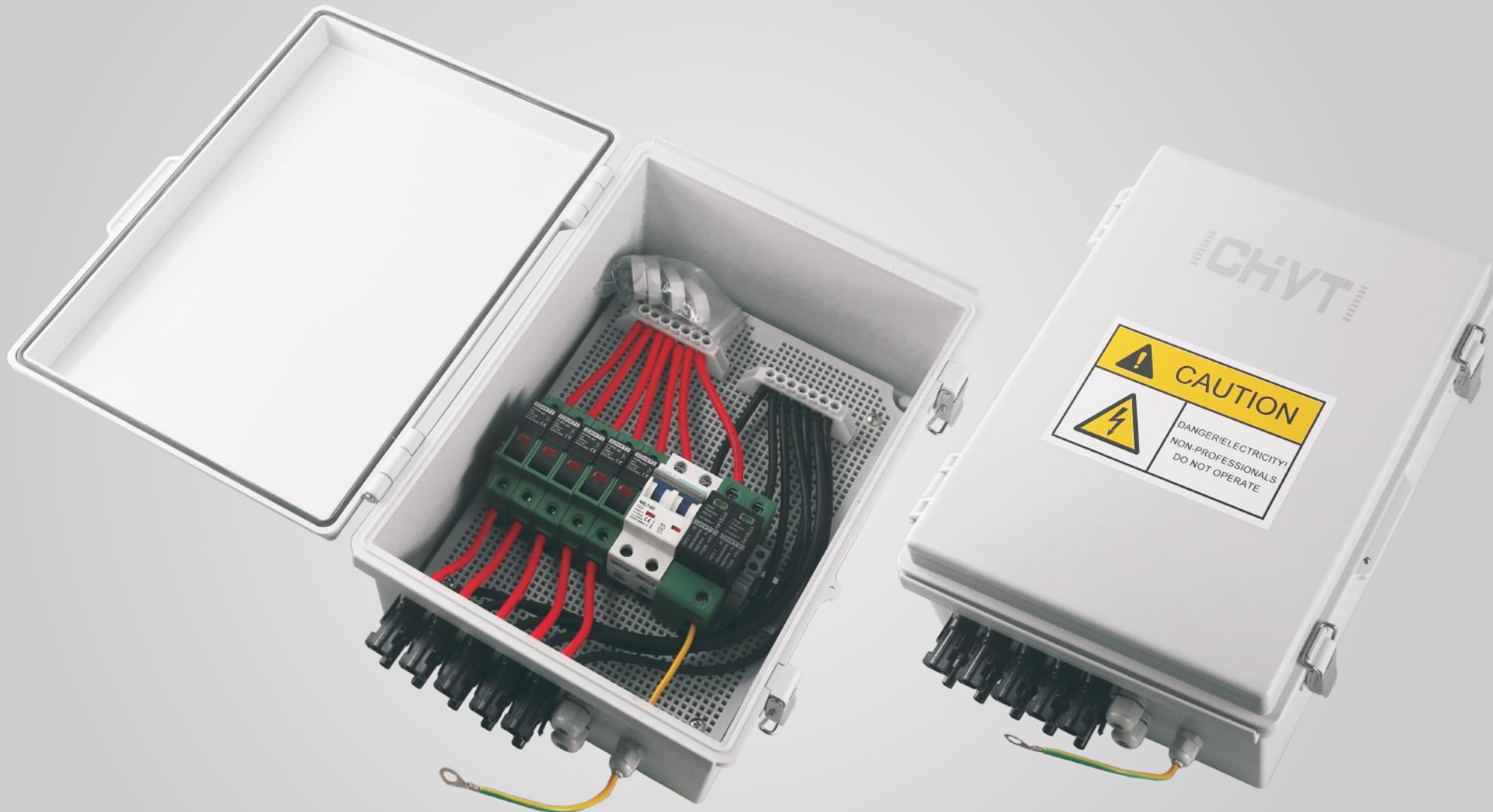
Width*high*Depth(mm)	280*350*110
-----------------------------	-------------

Features ■

- Very high impact resistance
- Easy machining with normal tools
- IP65
- Wide operation temperature range
- Fire Resistance
- Non-conductive
- Good resistance to chemical corrosion
- Light weight
- Excellent insulating properties
- Cost-effective material for harsh environments

Wiring Diagram ■





SOLAR COMBINER BOX

5 IN 1 OUT DC 600V

Application ■

PV String DC Combiner Boxes are key components in the solar power systems, which are placed between solar modules and the inverters.

Specifications ■

Solar PV DC 5 in 1 out Combiner Box

Rated voltage of photovoltaic system	DC 600V	Max input amp for each string	15A
Input strings	5	Number of output strings	1

Waterproof grade ip65/ Lighting protection

Category of test	II grade protection	Nominal discharge amp	20KA
Max discharge amp	40KA	Volt protection level	3.2KV
SPD Max operation voltage	DC 600V	Poles	2P
Structure characteristic	Plug push module		

System

Protection grade	IP65	Output switch	2P DC circuit breaker
Solar connector	Standard	Box material	ABS
Installation method	Wall mounting type	Operating temperature	-25°C-+60°C
Installation: indoors/outdoors	Yes		

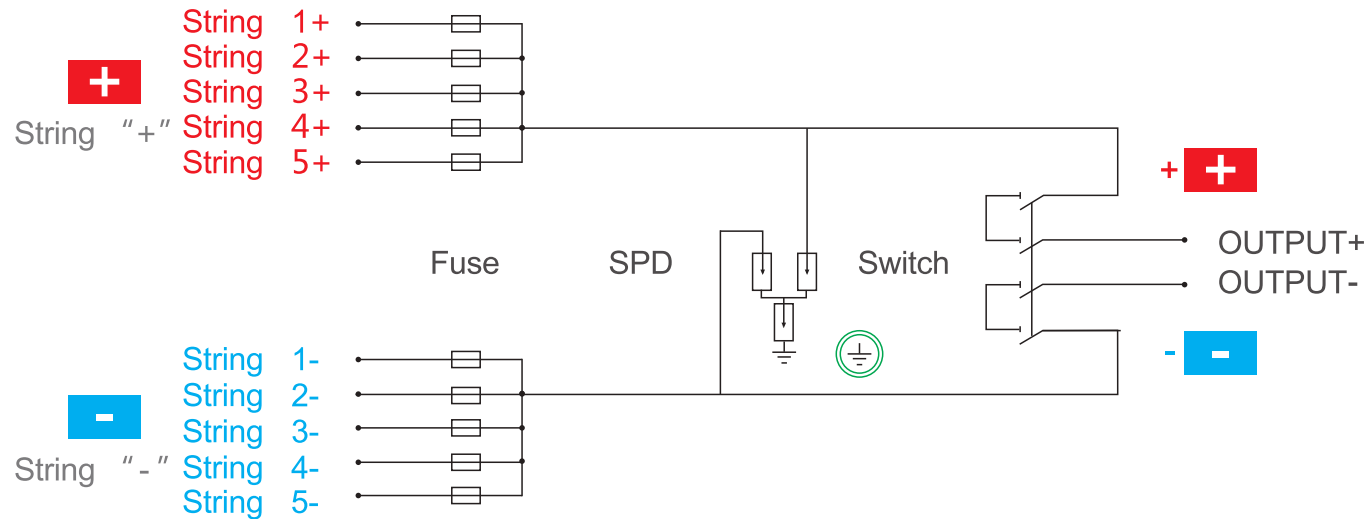
Mechanical parameter

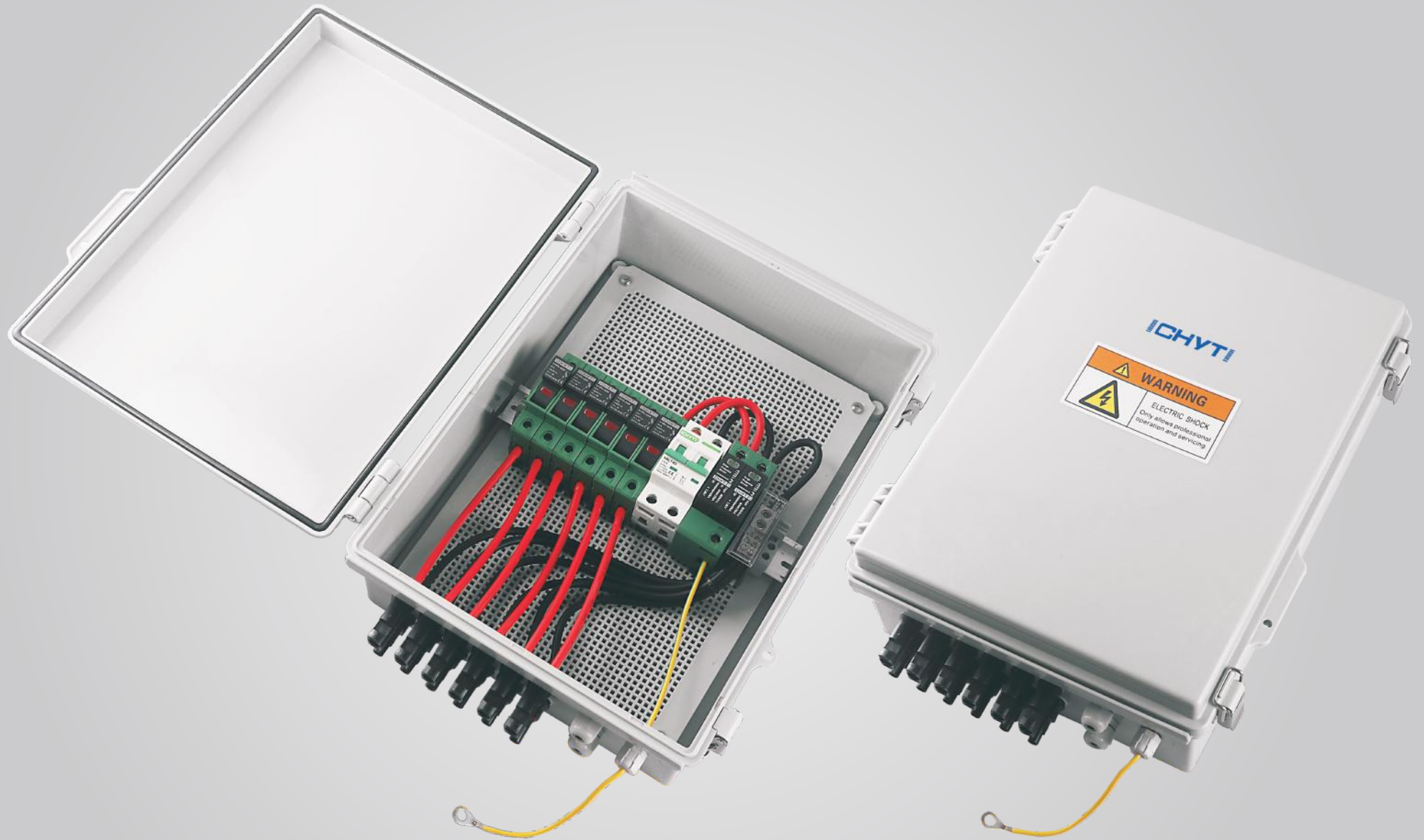
Width*high*Depth(mm)	250*360*150
-----------------------------	-------------

Features ■

- Very high impact resistance
- Easy machining with normal tools
- IP65
- Wide operation temperature range
- Fire Resistance
- Non-conductive
- Good resistance to chemical corrosion
- Light weight
- Excellent insulating properties
- Cost-effective material for harsh environments

Wiring Diagram ■





SOLAR COMBINER BOX

6 IN 1 OUT DC 600V

Application ■

PV String DC Combiner Boxes are key components in the solar power systems, which are placed between solar modules and the inverters.

Specifications ■

Solar PV DC 6 in 1 out Combiner Box

Rated voltage of photovoltaic system	DC 600V	Max input amp for each string	15A
Input strings	6	Number of output strings	1

Waterproof grade ip65/ Lighting protection

Category of test	II grade protection	Nominal discharge amp	20KA
Max discharge amp	40KA	Volt protection level	2.8KV
SPD Max operation voltage	DC 600V	Poles	2P
Structure characteristic	Plug push module		

System

Protection grade	IP65	Output switch	2P DC circuit breaker
Solar connector	Standard	Box material	ABS
Installation method	Wall mounting type	Operating temperature	-25°C-+60°C
Installation: indoors/outdoors	Yes		

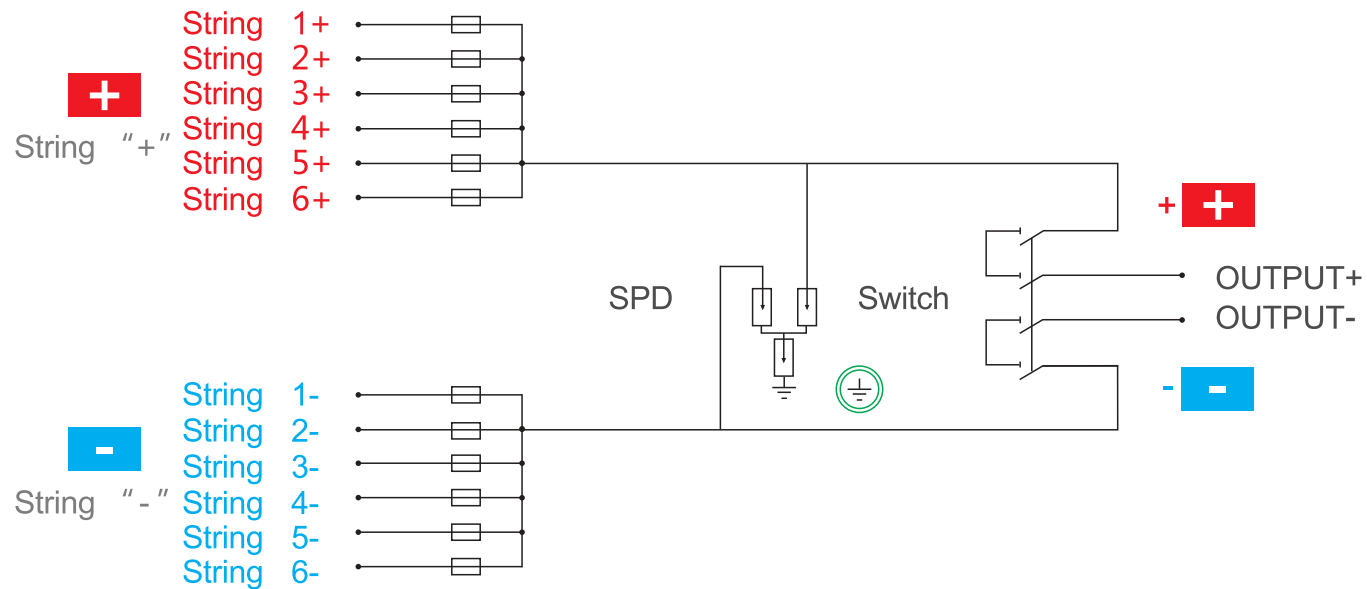
Mechanical parameter

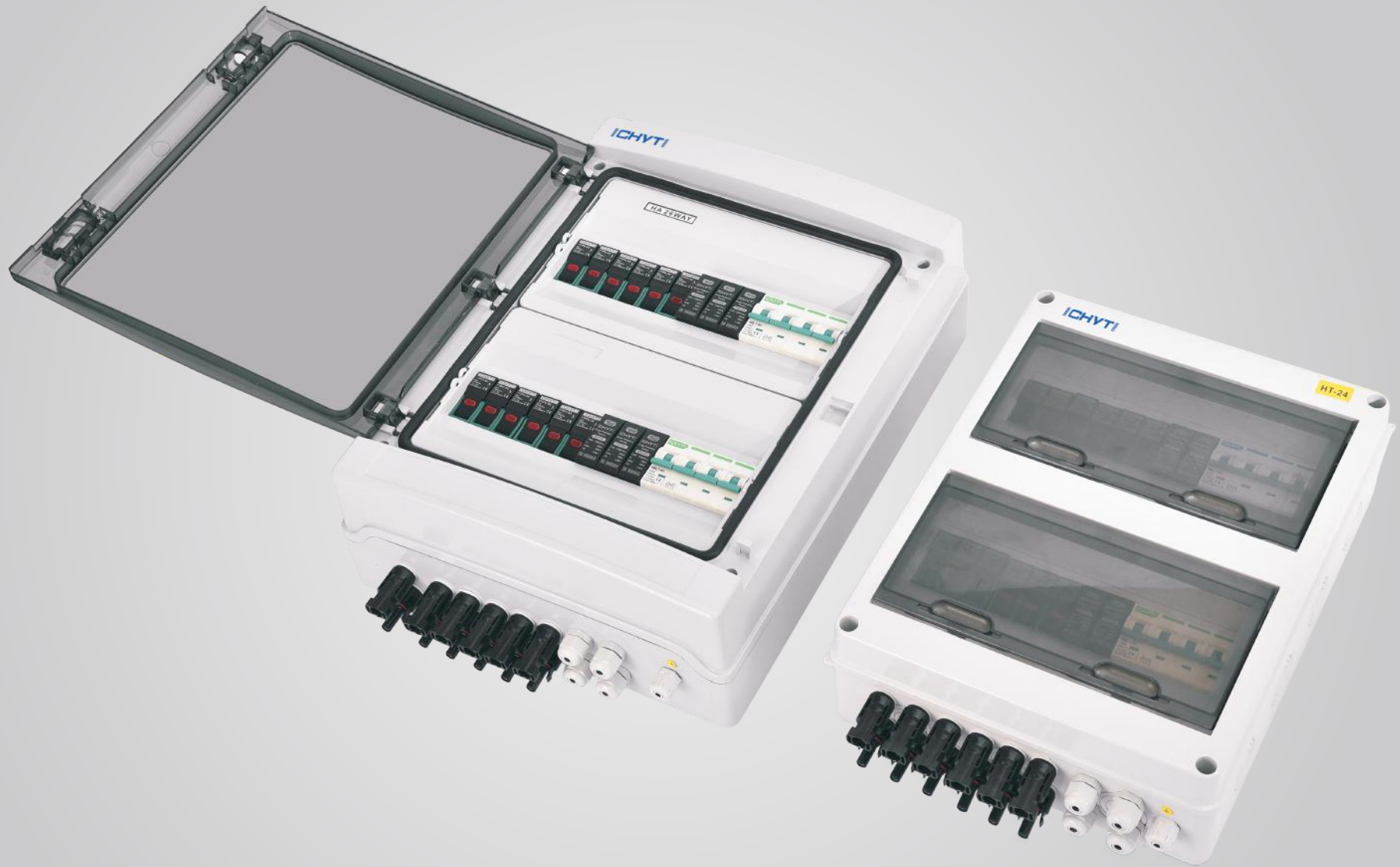
Width*high*Depth(mm)	300*390*135		
-----------------------------	-------------	--	--

Features ■

- Very high impact resistance
- Easy machining with normal tools
- IP65
- Wide operation temperature range
- Fire Resistance
- Non-conductive
- Good resistance to chemical corrosion
- Light weight
- Excellent insulating properties
- Cost-effective material for harsh environments

Wiring Diagram ■





SOLAR COMBINER BOX

6 IN 2 OUT DC 1000V

Application ■

PV String DC Combiner Boxes are key components in the solar power systems, which are placed between solar modules and the inverters.

Specifications ■

Solar PV DC 6 in 2 out Combiner Box

Rated voltage of photovoltaic system	DC 1000V	Max input amp for each string	15A
Input strings	6	Number of output strings	2

Waterproof grade ip65/ Lighting protection

Category of test	II grade protection	Nominal discharge amp	20KA
Max discharge amp	40KA	Volt protection level	3.5KV
SPD Max operation voltage	DC 1000V	Poles	2P/3P
Structure characteristic	Plug push module		

System

Protection grade	IP65	Output switch	DC circuit breaker
Solar connector	Standard	Box material	PVC
Installation method	Wall mounting type	Operating temperature	-25°C-+60°C
Installation: indoors/outdoors	Yes		

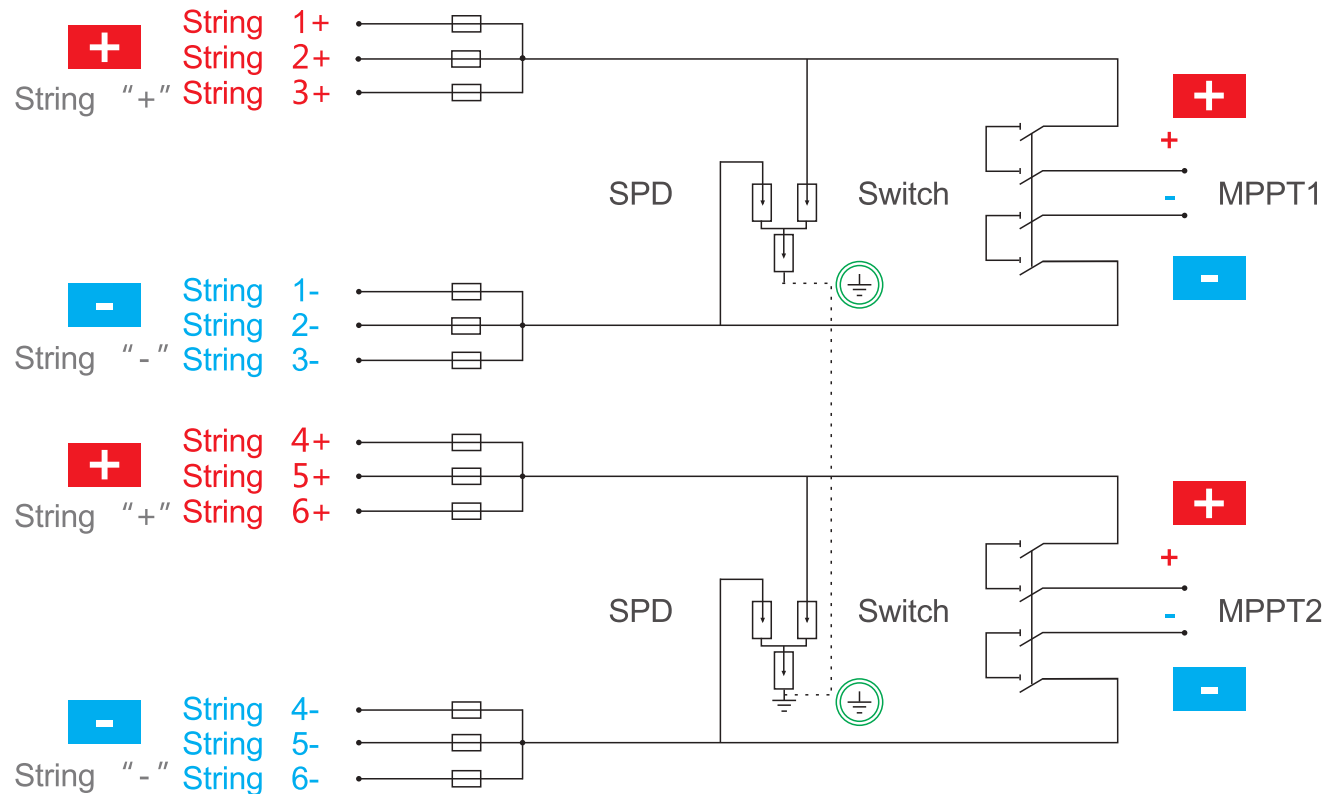
Mechanical parameter

Width*high*Depth(mm)	275*360*110 ■ 420*324*130
-----------------------------	---------------------------

Features ■

- Very high impact resistance
- Easy machining with normal tools
- IP65
- Wide operation temperature range
- Fire Resistance
- Non-conductive
- Good resistance to chemical corrosion
- Light weight
- Excellent insulating properties
- Cost-effective material for harsh environments

Wiring Diagram ■





DC MCCB YTTM1



DC FUSE YTPV-32



DC SPD ESP-D40



DC WATERPROOF LSOLATOR SWITCH DS1EL-S32



MC4 1000V

CHYT



PV CABLE



DC MCB NBL7-63



DC LSOLATOR SWITCH DS1DB-S32



VOLTAGE PROTECTOR CHVP



DC MCB NBT2-125DC



ZHEJIANG YATAI INTELLIGENT ELECTRIC CO. LTD

Add: Xiangyang Industrial zone , Liushi town,
Yueqing, Zhejiang, China.

Tel: +86-13600661167

E-mail: chyt@chyt-solar.com

Web: www.chyt-solar.com

<https://chyatai.en.alibaba.com>

